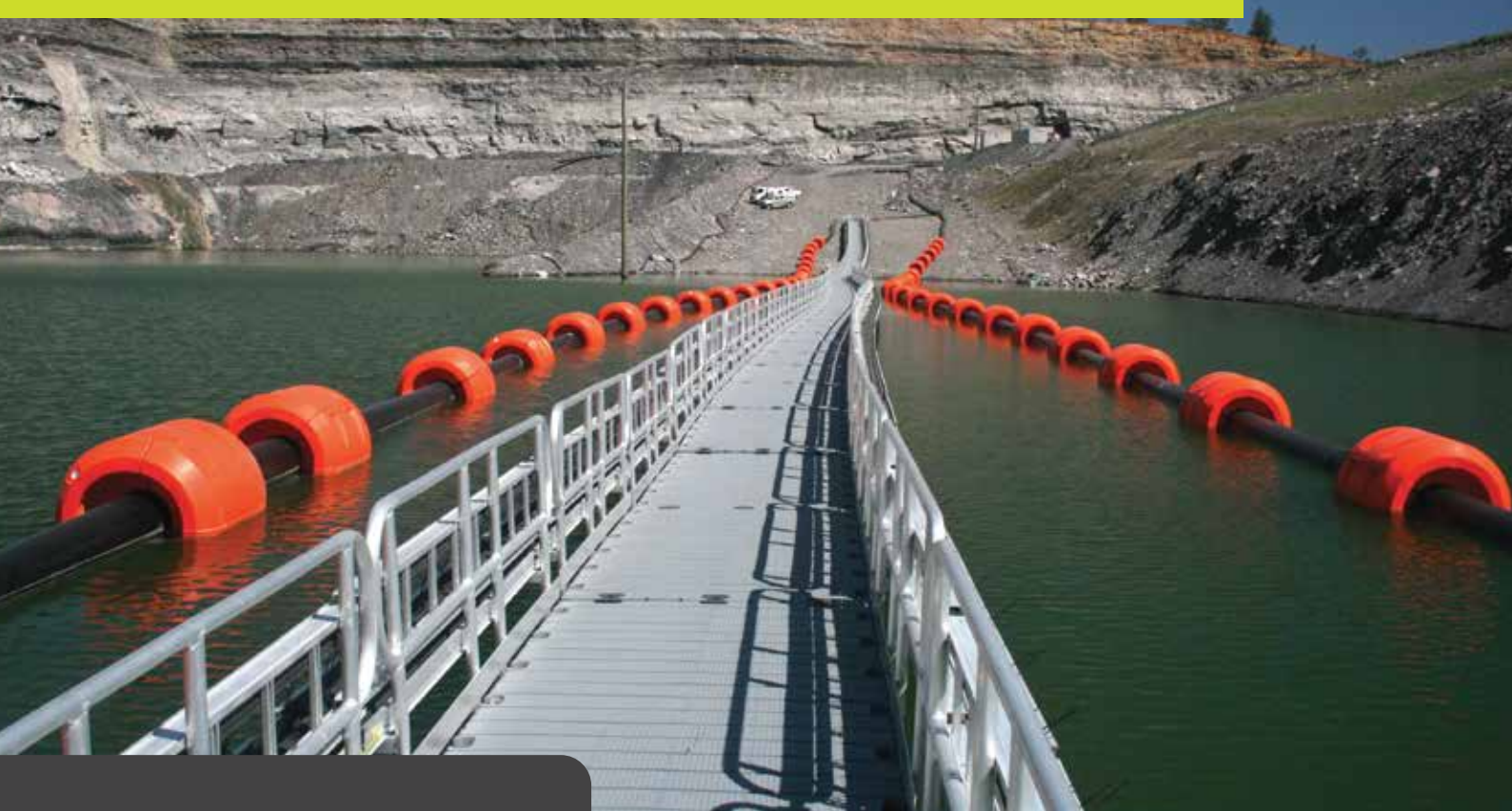


PIPE FLOATS

ADVANCED DESIGN & PRECISION MANUFACTURING



AVAILABLE SIZES

SIZE 1	25mm up to 130mm
SIZE 2	135mm up to 225mm
SIZE 3	230mm up to 355mm
SIZE 4	360mm up to 630mm
SIZE 5	710mm up to 1000mm

FEATURES & BENEFITS

- Used in many industries including; mining, water treatment, aquaculture, dredging and irrigation
- Heavy duty, high-impact rotomoulded polyethylene floats
- Suitable for floating cables, pipes and hose diameters from 25mm to 1000mm
- Cost effective quick-release strap option
- Locating pin slots for easy installation
- Marine Grade 316 Stainless Steel fasteners
- Passive radar and light reflective stripes available
- Manufactured at Superior's Rotomoulding factory in Australia



Contact one of our team today and we can answer any questions you may have

info@superiorindustrial.com.au



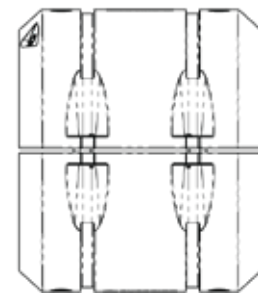
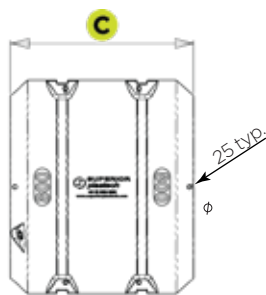
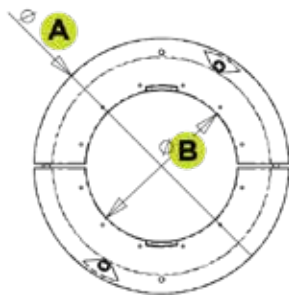
www.superiorindustrial.com.au

+61 7 5594 8211

PIPE FLOATS

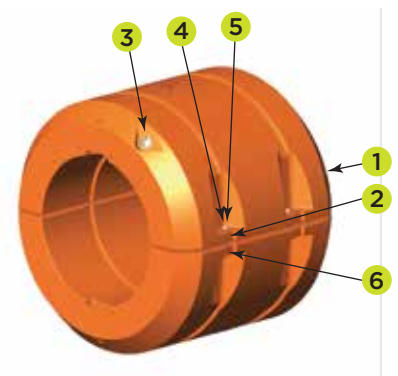
ADVANCED DESIGN & PRECISION MANUFACTURING

Item Code	Item Description	Reserve Buoyancy at Full Submersion	Outside Diameter ^A	Inside Diameter ^B	Length ^C	Floats/100m at SG2.4 and 50% solids
SIZE 1 PIPE FLOATS						
PFRO0443	110mm Hose Float	21kg	300mm	110mm	600mm	23
PFRO0444	130mm Hose Float	20kg	300mm	130mm	600mm	33
SIZE 2 PIPE FLOATS						
PFRO0445	160mm Pipe Float	89kg	460mm	160mm	900mm	11
PFRO0446	200mm Pipe Float	83.5kg	460mm	200mm	900mm	19
PFRO0447	213mm Pipe Float	81.5kg	460mm	213mm	900mm	22
PFRO0448	225mm Pipe Float	79.5kg	460mm	225mm	900mm	25
SIZE 3 PIPE FLOATS						
PFRO0449	250mm Pipe Float	225kg	670mm	250mm	1000mm	11
PFRO0450	280mm Pipe Float	217.7kg	670mm	280mm	1000mm	14
PFRO0451	315mm Pipe Float	208kg	670mm	315mm	1000mm	19
PFRO0452	355mm Pipe Float	196kg	670mm	355mm	1000mm	25
SIZE 4 PIPE FLOATS						
PFRO0453	400mm Pipe Float	780kg	1130mm	400mm	1160mm	8
PFRO0454	450mm Pipe Float	756kg	1130mm	450mm	1160mm	11
PFRO0455	500mm Pipe Float	729kg	1130mm	500mm	1160mm	13
PFRO0456	560mm Pipe Float	687kg	1130mm	560mm	1160mm	18
PFRO0457	630mm Pipe Float	644kg	1130mm	630mm	1160mm	24
SIZE 5 FLOATS						
PFRO0458	710mm Pipe Float	986kg	1350mm	710mm	1160mm	20
PFRO0459	800mm Pipe Float	896kg	1350mm	800mm	1160mm	28
PFRO0460	900mm Pipe Float	700kg	1350mm	900mm	1160mm	45
PFRO0461	1000mm Pipe Float	574kg	1350mm	1000mm	1160mm	68



INSTALLATION

1. Ensure correct Pipe Float size prior to installation.
2. Position one Pipe Float half alongside designated pipe.
3. Lift pipe onto Pipe Float.
4. Place second Pipe Float half over pipe. All 4 lugs should engage with opposite Pipe Float half.
5. Insert all 4 sets of bolts and washers ensuring that a washer is used under each bolt head and each nut.
6. Tighten all 4 sets finger tight so that the gap between the two float halves is approximately equal on both sides.
7. Using spanners or socket wrenches, tighten all 4 bolt sets sequentially, tightening no more than one full rotation on each set.



Contact one of our team today and we can answer any questions you may have

info@superiorindustrial.com.au



www.superiorindustrial.com.au

+61 7 5594 8211